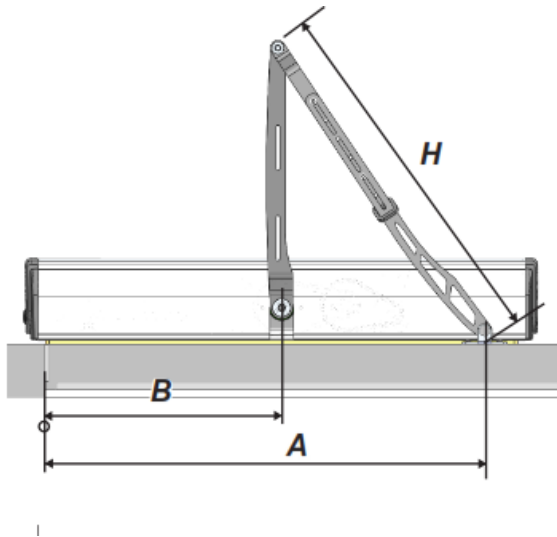


# Digiway SR Easy Start Guide

## Mounting Dimension for Articulated Arm – Outward Opening Doors



Parameters calculated for opening angle  $\geq 100^\circ$

Param.	Description	B = 330 mm		
		L1	A	H
A	Door hinge – door bracket distance			
B	Door hinge – motor axis distance	300	540	600
C	Door bracket hole centres.	270	500	570
L1	Distance motor axis - door	240	500	570
L3	Distance motor shaft-door bracket	210	500	540
H	Length of the adjustable forearm	180	500	520
		150	460	460
		120	460	450
		90	500	430

### Initial Phase:

- **MAKE SURE ALL EXISTING CLOSING MECHANISMS HAVE BEEN REMOVED AND REPLACED WITH DUMMY UNITS IF NECESSARY.**
- Once the Digiway SR has been installed make sure the door can be opened and closed with completely free movement.
- Only connect Mains and either a RTE switch on T15 & T16 or use the radio remote (easier).
- Link terminals 5,6 & 7 together, connect mains and then the battery.
- Switch on power.
- Press and hold the centre button (OK Button) of the programming buttons located on the Digiway until the display appears.
- Navigate using the Up/Down buttons to "Tx Management"
- Press "OK" to enter menu.
- "ADD" will be displayed press "OK"
- Press the left-hand top button on the remote.
- Press "Escape" (Left button of the programming buttons)
- Navigate to "Exit" and press OK
- The Transmitter can now be used to program the Digiway remotely.

To gain access to the menu using the transmitter press "ESC" & "DOWN" together, the display will change to "Main Menu", you can then scroll through using the up and down buttons and OK to enter or set.

# Digiway SR Easy Start Guide

## Pre Calibration:

- Check door has full free movement.
- Make sure any locking is completely released.
- Check the door travel area is free of any potential blockages.
- **Assure no one can enter the area while calibration is in progress, set "DANGER TESTING PROGRESS" signs or similar.**
- Set the external rocker switch to "0"

## Spring Preload:

- Make sure unit is set 'Free Mode' – rocker switch in centre position "0".
- Set up the Spring preload: enter the menus and navigate to the calibration menu.
- Enter the Spring preload menu and select 'Reset', now increase the preload to around 90° in the direction of the arrow and attempt to fit the arm to the drive shaft, if adjustment is required increase the rotation until the arm fits onto the drive pins.
- Save the setting but DO NOT ENTER DOOR LIMITS.
- Tighten the arm fixing bolt.
- Exit the menu and carry out a spring force test by open the door manually and releasing to make sure the door closes; it will shut hard as the motor is not controlling the closing force.
- If Ok proceed to 'Arm Type' and set to 'Articulated', if not repeat the spring preload phase until the door closes adequately.

## Calibration:

- Select 'Door Limits' from the menu set up.
- Press "OK" and follow the on-screen instructions to set the open/close limits.
- **Note: Set open limit 10cm more than required.**
- When finished "Thank You" will be displayed
- Press "Up", "Auto Calibration" will be displayed, press OK.
- Follow the on-screen prompts.
- **Note: The door will open and close very quickly over 5 actuations.**
- Once completed "Save will appear on the display, press Ok.
- Press scroll to exit and press ok.
- Set external rocker switch to "I"
- Carry out a full cycle without interruption, on completion the LP LED (on the end cap) will be green and an upper and lower case I will appear on screen 'iI'.

*Individual settings can now be entered using the "Main Settings" menu, Fine tuning of the door motion can then be completed via the Advanced Settings" menu. Please refer to the manual.*

# Digiway SR Easy Start Guide

## Recommendations Settings for Semi Auto Use:

*These setting allow fully manual use even after an auto cycle the door can be pulled manually open without intrusion of the obstacle detection.*

### **Main Functions menu:**

*Set IP = 0*

*Set IM = 0*

**Hidden menu** (*Important: do not make any other adjustments in this menu*):

*Press and Hold LEFT - RIGHT \_UP buttons on the keypad.*

*Press Up, Up ,UP until Windy OD is shown*

*press Ok and set to Disable.*

*Press OK, then left to exit setting.*

*Press Down, down unit Exit menu is shown*

*Press OK.*

**Complete 1 full cycle to finish setting**