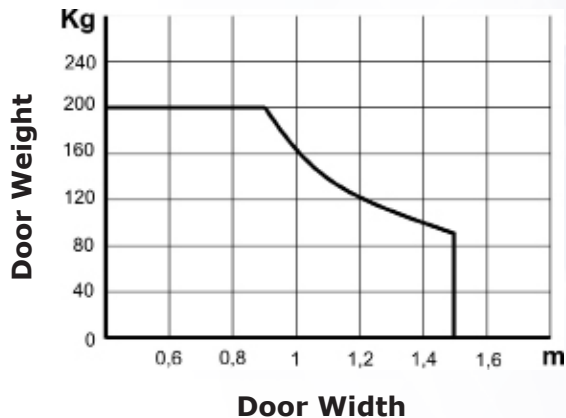


DIGIWAY SR Suitability of Installation Questionnaire

Please go over the following set of questions that are crucial to help you choose the right DIGIWAY door operator for your installation. If all questions are answered with a "YES", then the **DIGIWAY SR will fit your installation.**

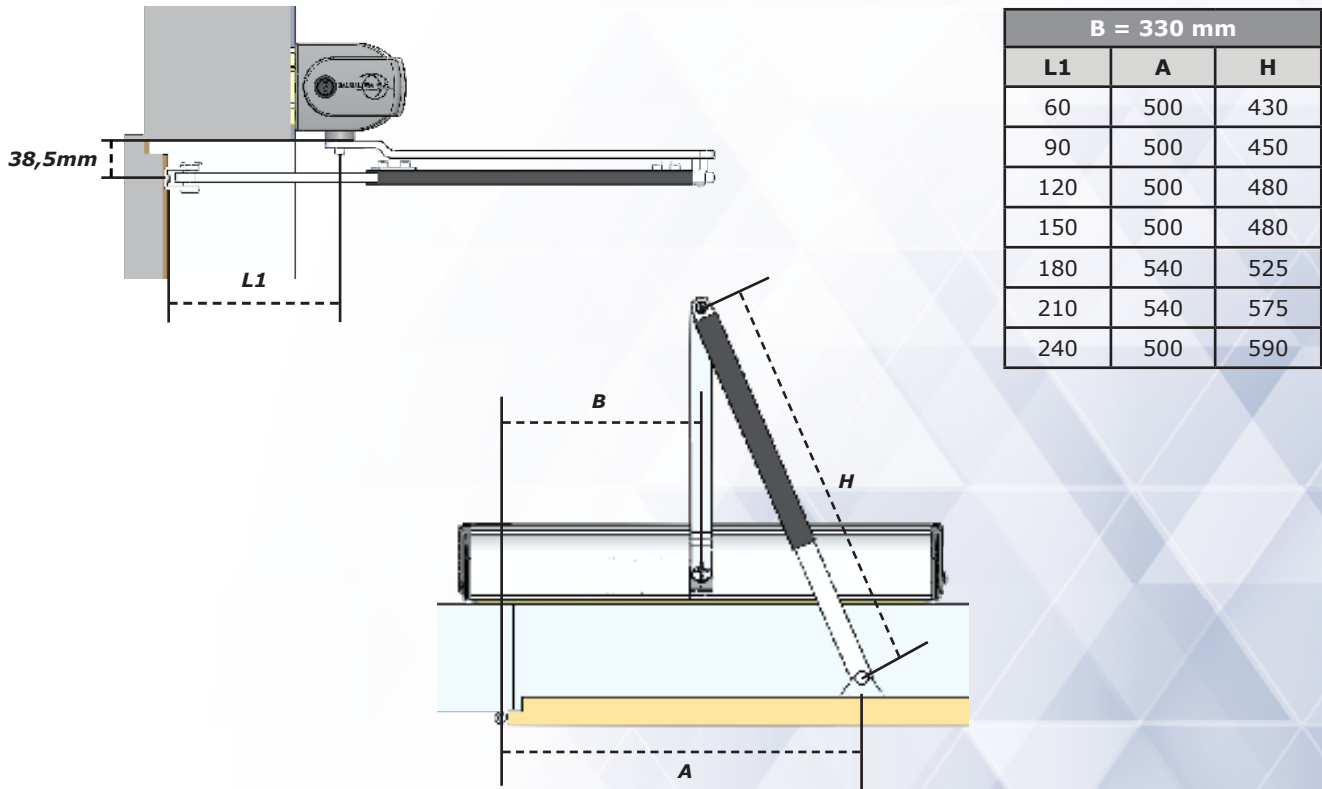
- 1] Is the door width 1.5m or less? (see 'Use Conditions' below)
- 2] Does the door weigh under 200kg? (see 'Use Conditions' below)
- 3] Can the door swing freely? (i.e. no closing system in the frame, floor or jamb. no detents - hold open device)

Use Conditions

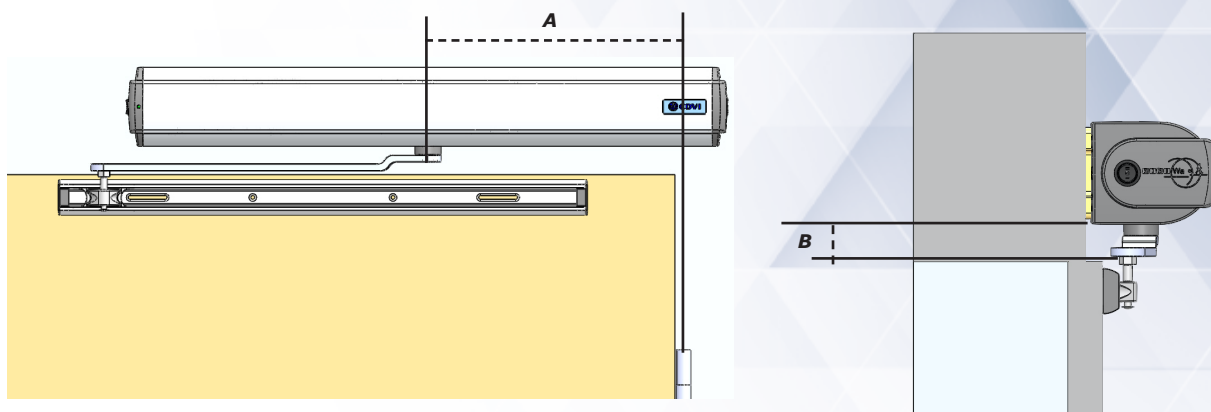


- 4] Is there a 100mm header above the door?
- 5] In case of an inward opening door, is the door face flush to the header - i.e. the door is not recessed?
- 6] In case of an outward opening door, is the reveal depth 300mm or less? (see 'Articulated Arm Installation Dimensions')

Articulated Arm Installation Dimensions



Sliding Arm Installation Dimensions



Parameter	Value (mm)	Description
A	280	Door hinge - motor axis distance
B	35	Backplate - guide distance