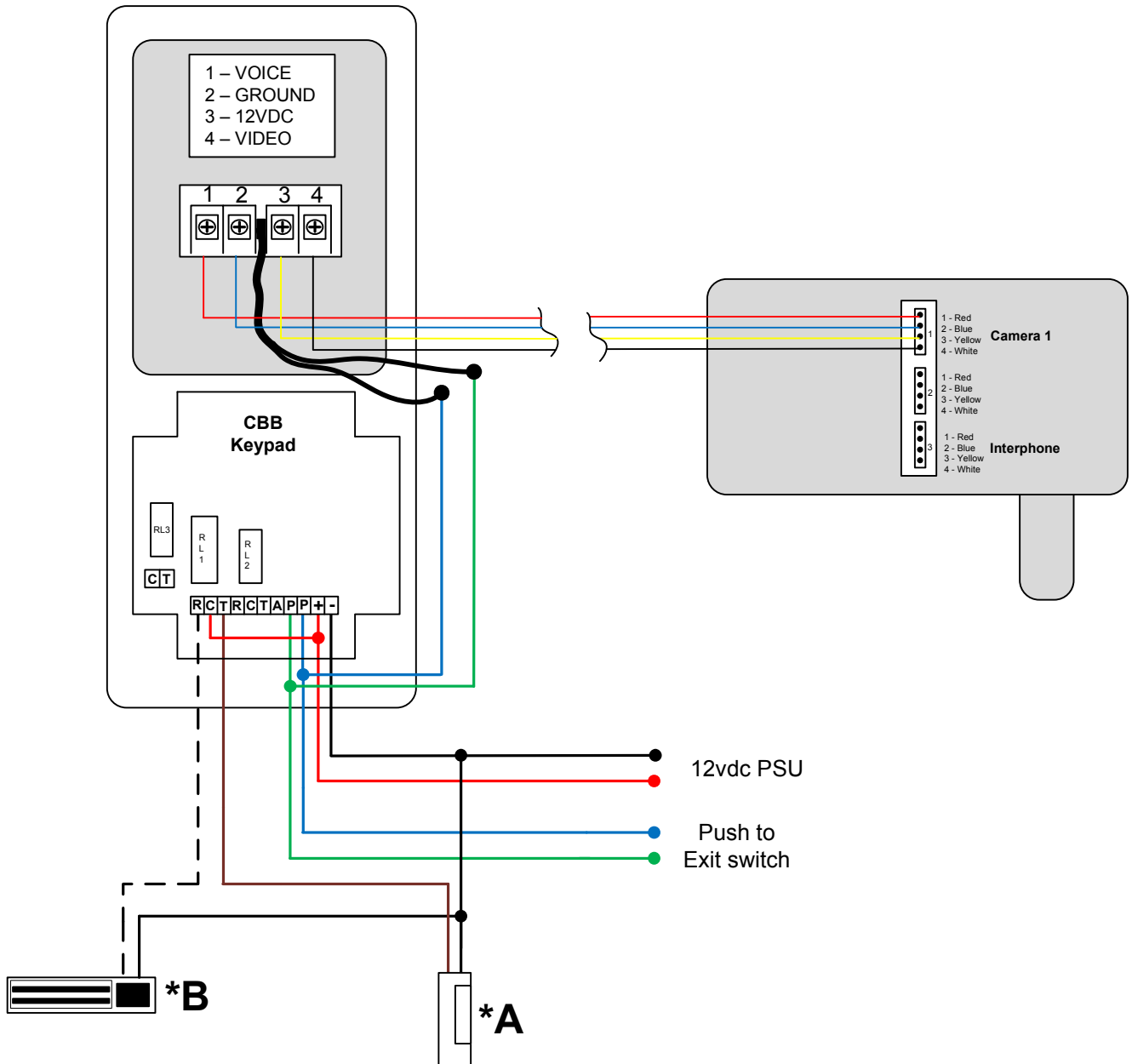


Commax Video/Audio to CBB Connections



- The above schematic corresponds to all Commax door cameras for lock output connection.
- By connection in the above way lock timings are controlled by the CBB programming, (see CBB manual).
- A standard fail secure release is shown in position A and a Maglock in position B. Note: these would not normally be connected at the same time.
- The locks are shown connected to relay 1 on the CBB (see CBB manual).
- Relay Contacts:
 - R = Normally Closed, N/C
 - T = Normally Open, N/O
 - C = Common