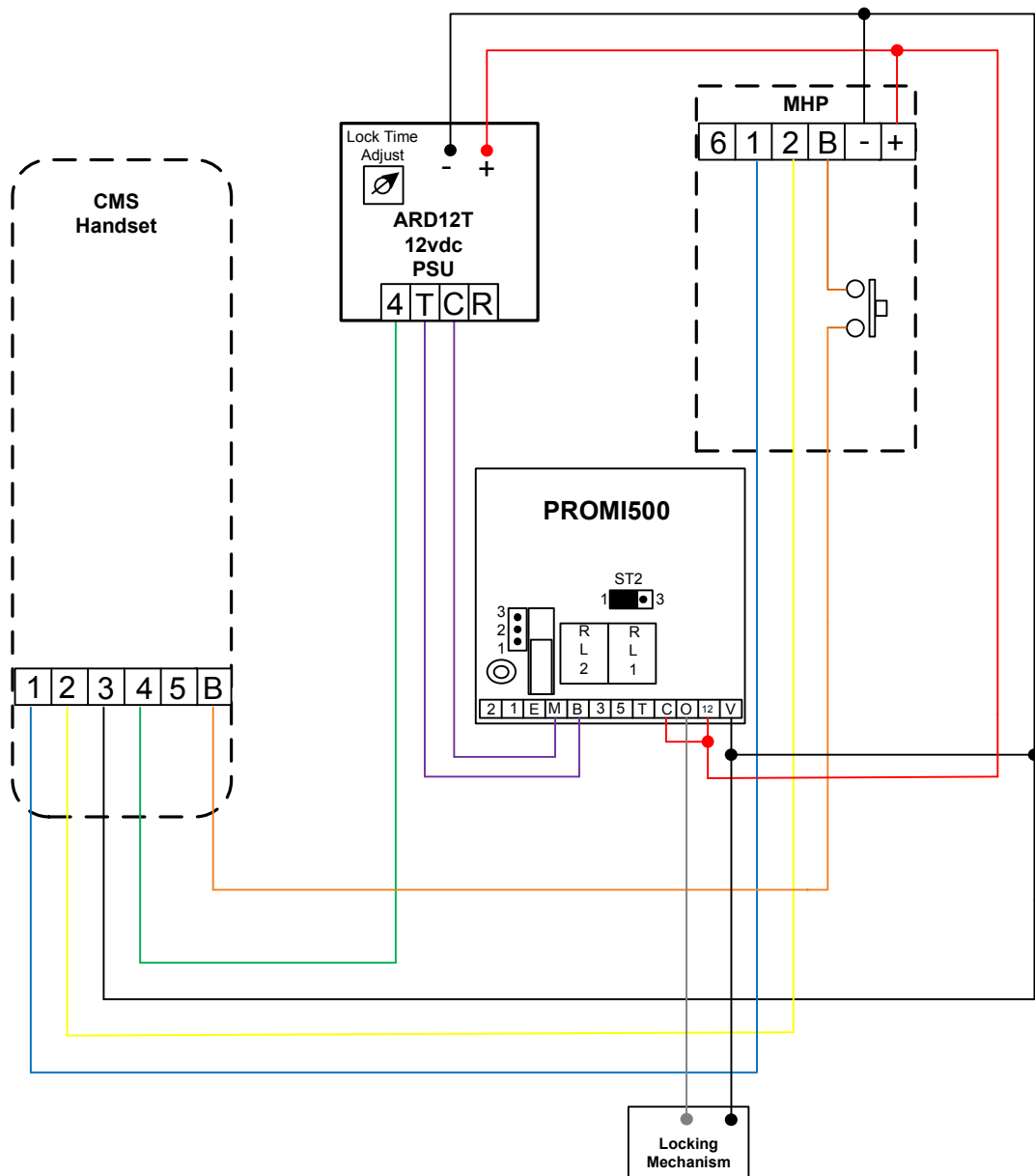
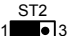


CMS Connections with Integrated Proximity Reader c/w Promi 500



Notes:

- The schematic only shows the Promi 500 interconnections to the CMS audio system, for DGLP-INT proximity reader connections please Promi 500 manual
- This wiring schedule allows full control of the locking mechanism via the Promi 500.
- The keypad must be wired and configured as Promi 500 instructions
- The timer on the ARD12T must be set to zero, lock is adjusted using the keypad programming *1 command.
- A "request to exit button" can also be connected to "P-P".
- ST2 is shown set in position 1 & 2, normally closed, N/C, for fail safe locks ie maglocks, if fail secure locks are required set jumper to 2 & 3 normally open, N/O, ie standard electric release.

Fail Safe, N/C 

Fail Secure, N/O 