



DIGIGATE KIT SW230ACCD

Swing gate with linear arms

The SW230ACCD kit for swing gates with linear irreversible operators, allows the automation of gates up to 3m wide (per leaf) and a maximum weight of 200Kg - for non-intensive use.

All DIGIGATE solutions are controlled by a common microprocessor based controller, and work according to the same operating logic.

The operating functions available make this product the right solution for almost any application. The «intelligent logic» of the controller matches all requirements of the application. Very innovative, the motor employs a soft start-stop system with current sense. The set-up is very easy thanks to the dip-switch settings and the self-learning procedure.

The appliance is equipped with intrinsic safety, which self-adjusts the torque according to the absorbed current. If an obstacle is detected during travel, it stops, moves the gate back to release the obstacle and will wait for a command, or will reverse the motion.

Gate movement is adjusted with soft start and stop, near the open and close travel limits.

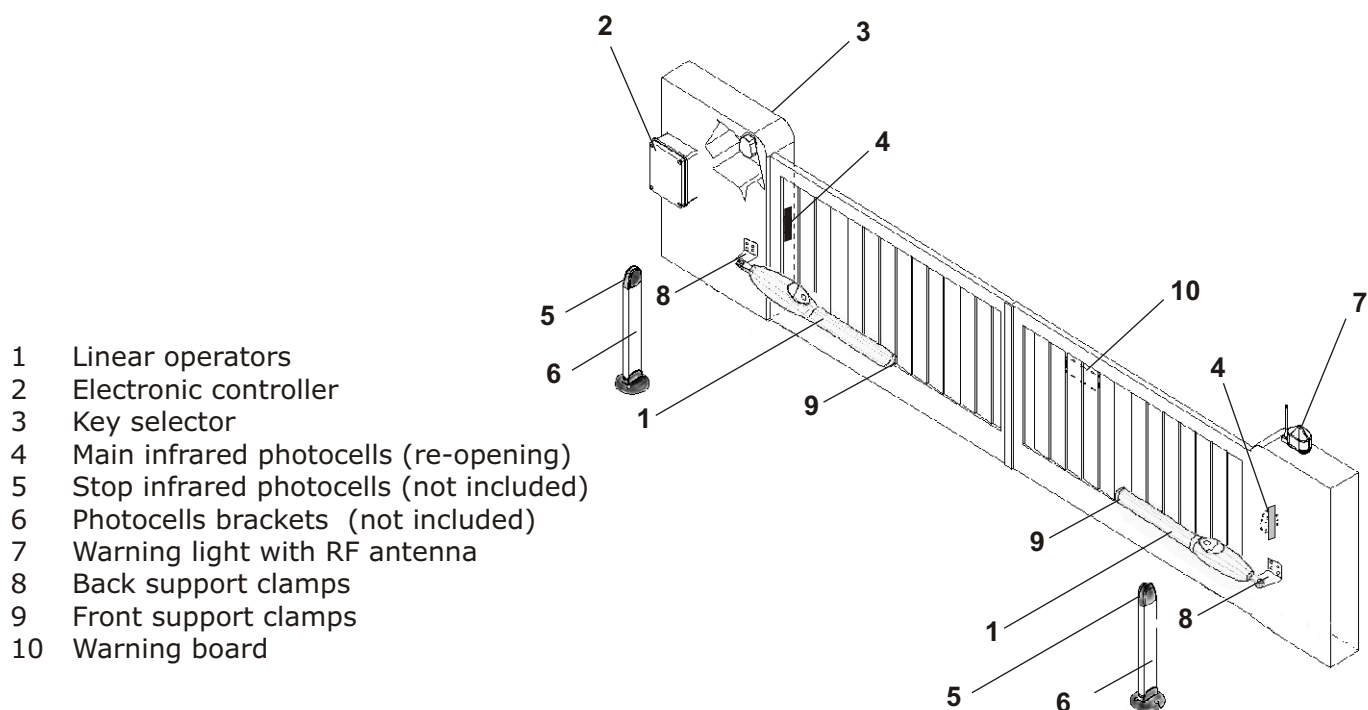
The gate open time is adjustable with a trimmer (up to 200 sec).

4 operating modes are available:

- / direct control mode,
- / semi-automatic (2 separate cycles for open and close),
- / automatic with travel direction reverse at each command,
- / automatic with stop at each command.

All peripheral devices are managed by the controller, each one according to its logic function.

TYPICAL INSTALLATION



It is important to install gate "stops" at the end of the opening cycle for each leaf, and at the centre of the closed cycle for both leaves.

LIST OF CONTENTS



2 x IRREVERSIBLE OPERATORS (P/N: GMPA20)

The operator is irreversible, but we recommend fitting an electrolock when the gate leaves are longer than 2m.

WARNING : The kit can be used for gates up to 200 Kg (at this weight, must be non-intensive usage).



1 x ELECTRONIC CONTROLLER (P/N: GEP230M201)

The control panel is a microprocessor based programmer which can drive 1 or 2 x 230V/450W single phase asynchronous gear motors, without limit switches.

The main electronic controller includes an embedded RF receiver AM operating at 433,92 MHz. An internal push-button is available for the management of the remote controls (add and delete etc.)



1 x SET OF INFRARED PHOTOCELLS (P/N: SEFM2405)

Install the photocells within the kit according to the instructions included in their packaging to protect the gate operating area during closing. The range of the beam is greater than the total length of the gates.

Interruption of the beam during closing, causes the gates to stop and reverse the motion.

NOTE : The electronic controller performs an automatic test of the photocells at the start of every cycle. In case of test failure, it disables the automatic cycle of the gates.



2 x REMOTE CONTROL (P/N: S2TR2641E2)

Erone 024A - 2 channel remote control 433 AM, compatible with the RF receiver module



1 x WARNING LIGHT (P/N: GAL1)

Yellow flashing warning light. Once connected to the electronic controller, it has 4 flashing frequencies according to the state of the gate cycle.

The warning light includes the RF antenna for the internal receiver.

An "indicator light", when connected, follows the same flashing frequencies as the warning light.



1 x KEY SELECTOR (P/N: GAK1)

The key selector has 2 positions (plus the centre). By connecting the "Open" contact to the terminal block "Open" of the electronic controller, the key selector will mimic the key of the radio transmitter.



1 x WARNING PANEL (P/N: GA01)